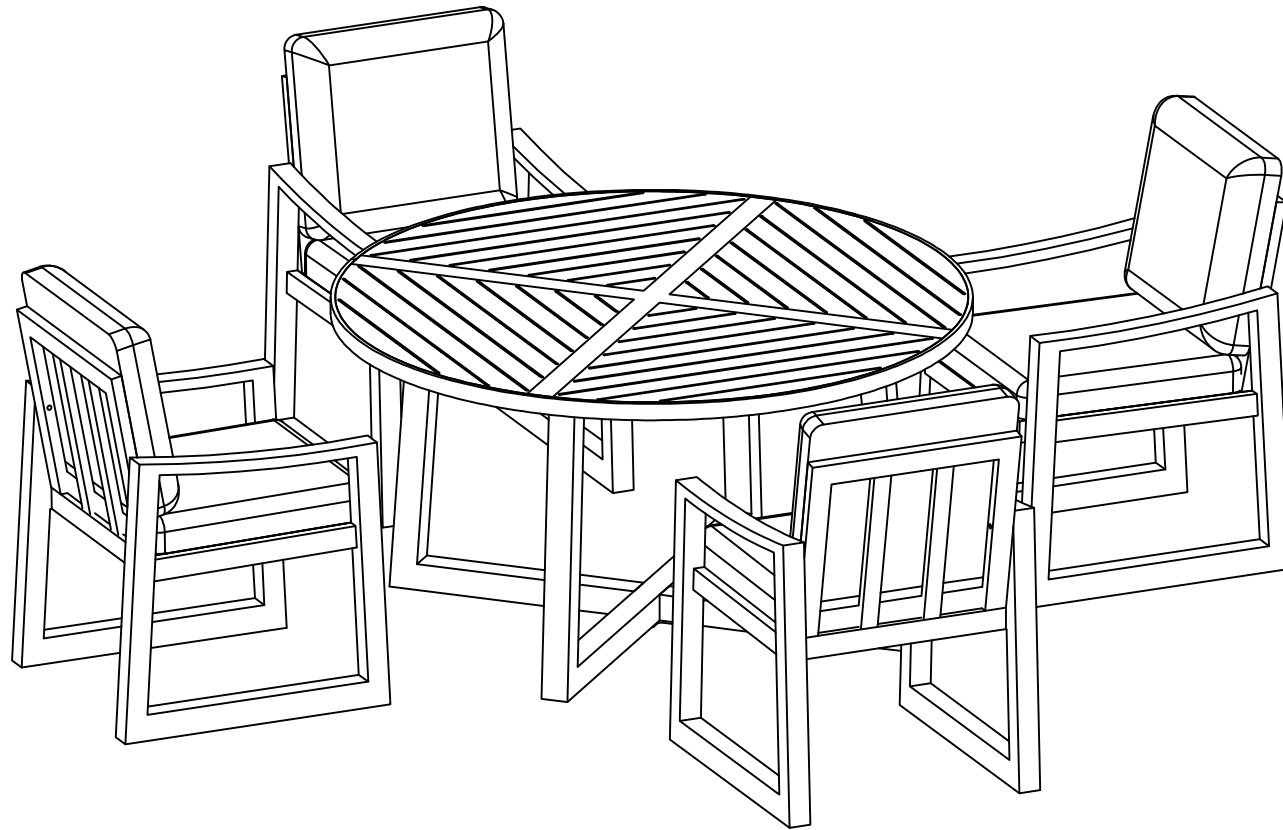


# ASSEMBLY INSTRUCTION RIPLEY DINING TABLE



Retain these instructions for future reference.  
Fern Living, Bigby High Road, Brigg, DN20 9HE.  
For further guidance and contact information  
please visit our website: [www.fernliving.co.uk](http://www.fernliving.co.uk)

# ASSEMBLY INSTRUCTION RIPLEY DINING TABLE

1



Bolt screw (M6x20)

x 24pcs

2



Plastic Washer M6

x 24pcs

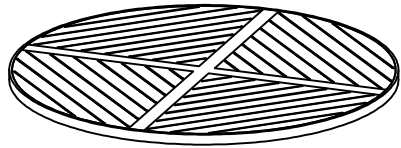
3



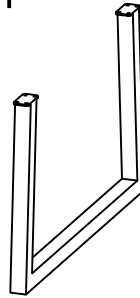
M4

x 2pc

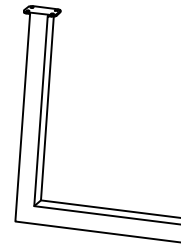
A x 1pc



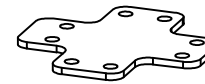
B x 1pcs



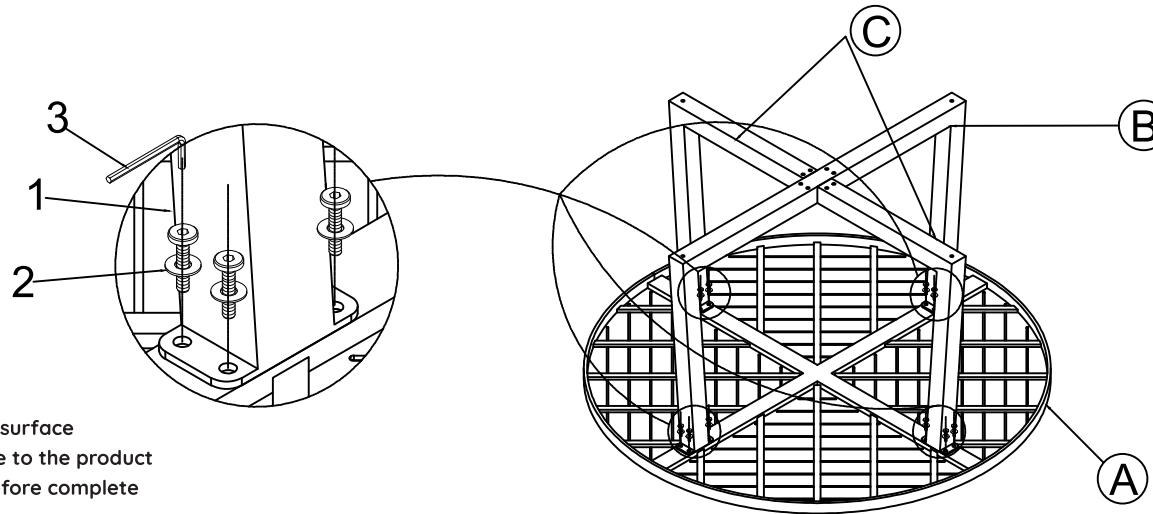
C x 2pcs



D x 1pcs

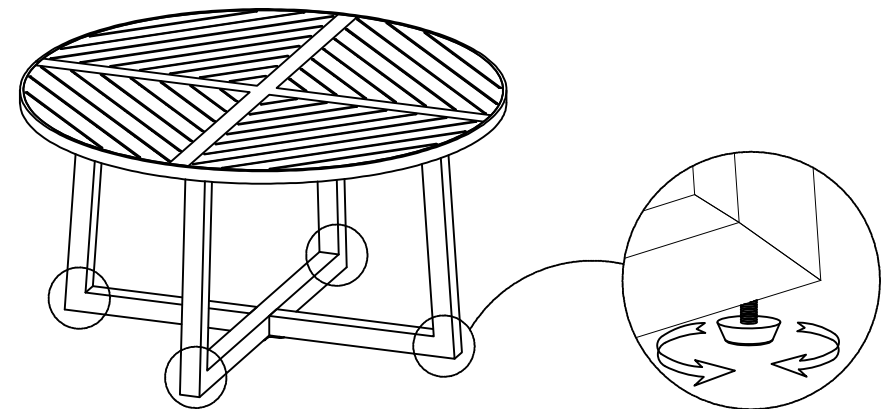
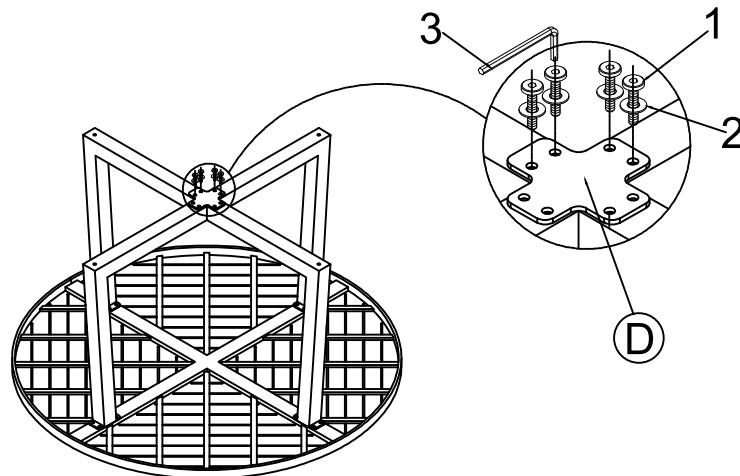


1

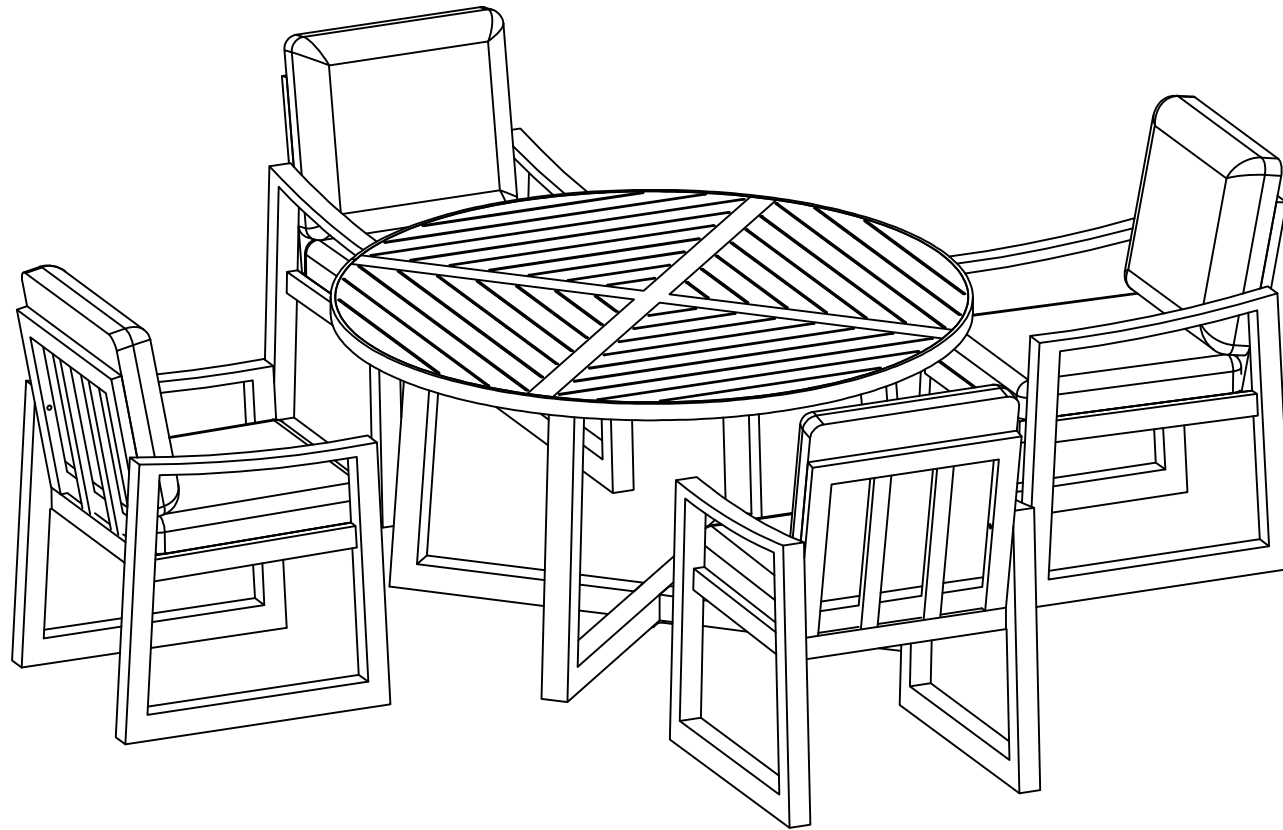


1. Put all parts on a clean and flat surface to avoid any scratches or damage to the product
2. Do not fully tighten the Bolts before complete

3



# ASSEMBLY INSTRUCTION RIPLEY DINING CHAIR



Retain these instructions for future reference.  
Fern Living, Bigby High Road, Brigg, DN20 9HE.  
For further guidance and contact information  
please visit our website: [www.fernliving.co.uk](http://www.fernliving.co.uk)

# ASSEMBLY INSTRUCTION RIPLEY DINING CHAIR

2



Plastic Washer M6

x 12pcs

3



M4

x 1pc

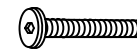
4



Bolt screw (M6x40)

x 10pcs

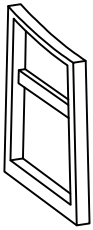
5



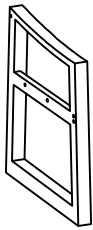
Bolt screw (M6x65)

x 2pcs

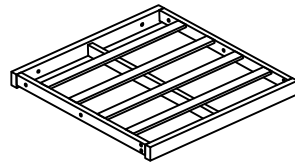
E x 1pc



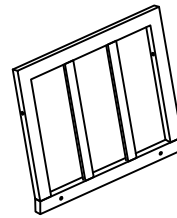
F x 1pcs



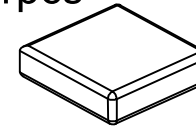
G x 1pcs



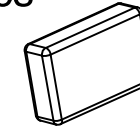
H x 1pcs



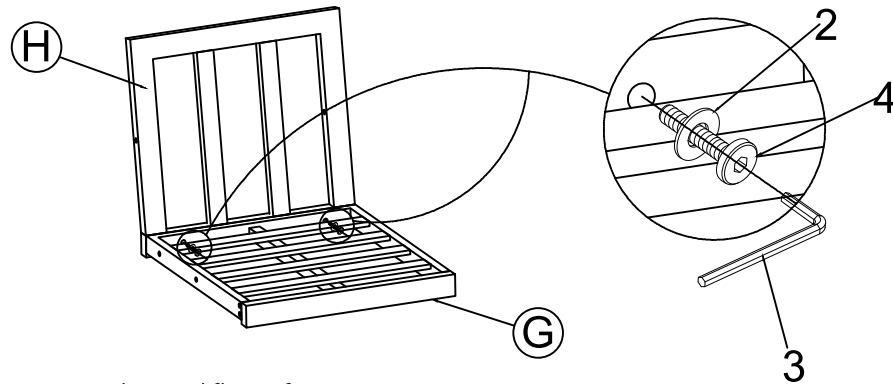
K x 1pcs



L x 1pcs

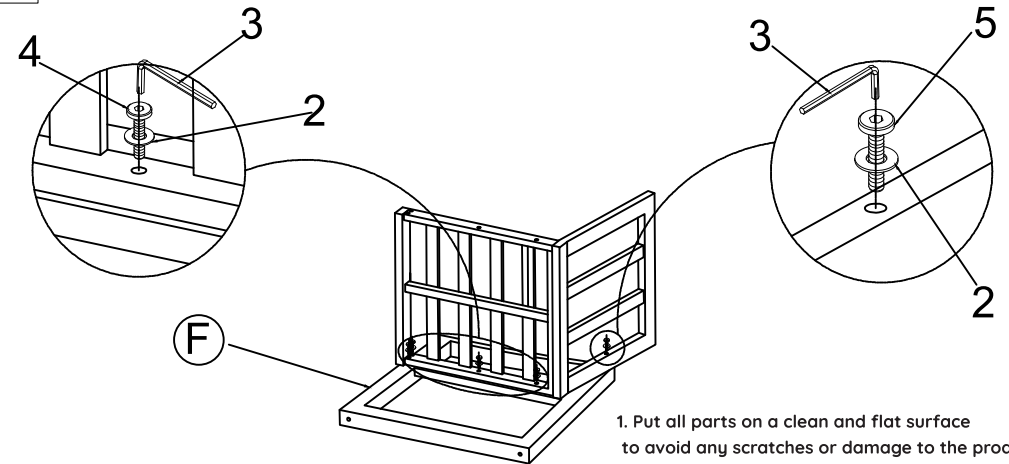


1



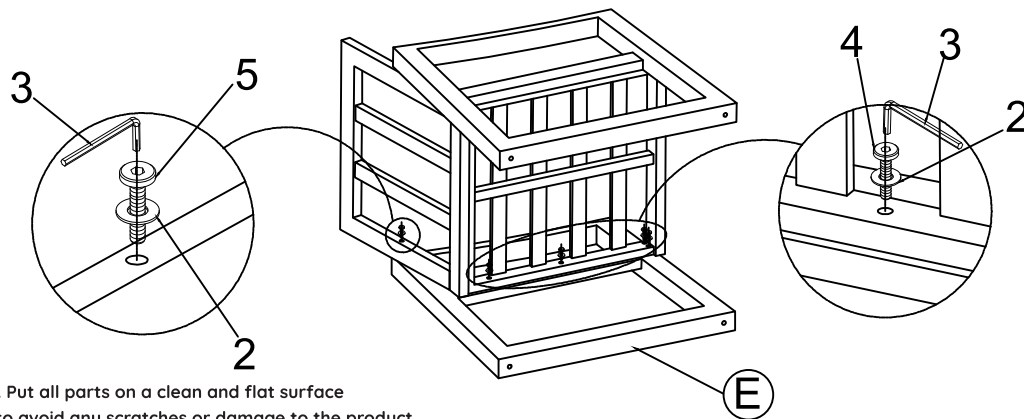
1. Put all parts on a clean and flat surface to avoid any scratches or damage to the product
2. Do not fully tighten the Bolts before complete

2



1. Put all parts on a clean and flat surface to avoid any scratches or damage to the product
2. Do not fully tighten the Bolts before complete

3



1. Put all parts on a clean and flat surface to avoid any scratches or damage to the product
2. Do not fully tighten the Bolts before complete

4

