

ASSEMBLY INSTRUCTIONS

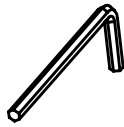
STAMFORD D110 BISTRO TABLE



① x12
M6x20



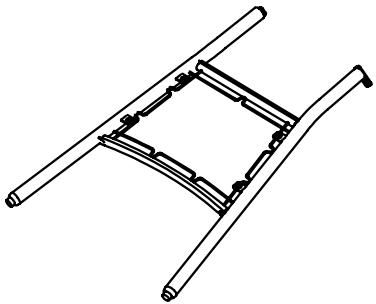
② x12



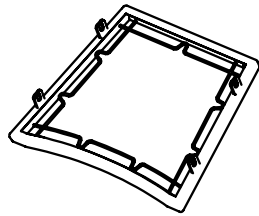
③ x1



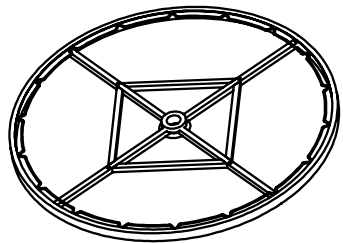
④ x1



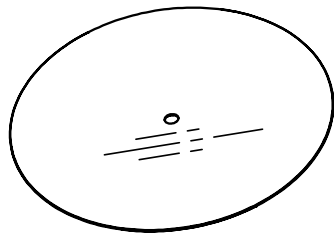
Ⓐ x2



Ⓑ x2



Ⓒ x1



Ⓓ x1

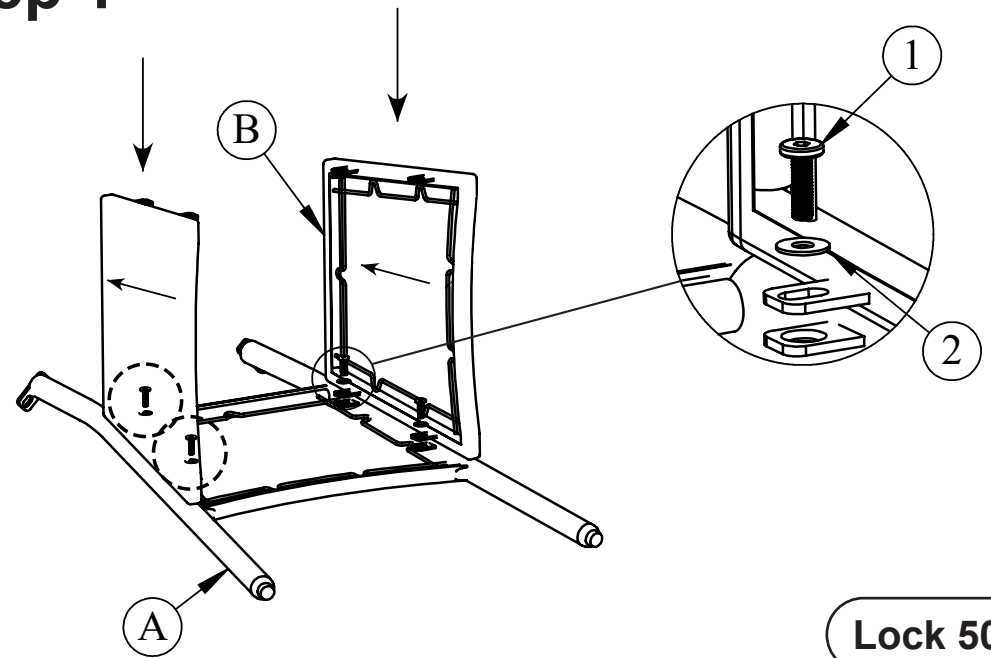


Retain these instructions for future reference.

Fern Living, Bigby High Road, Brigg, DN20 9HE.

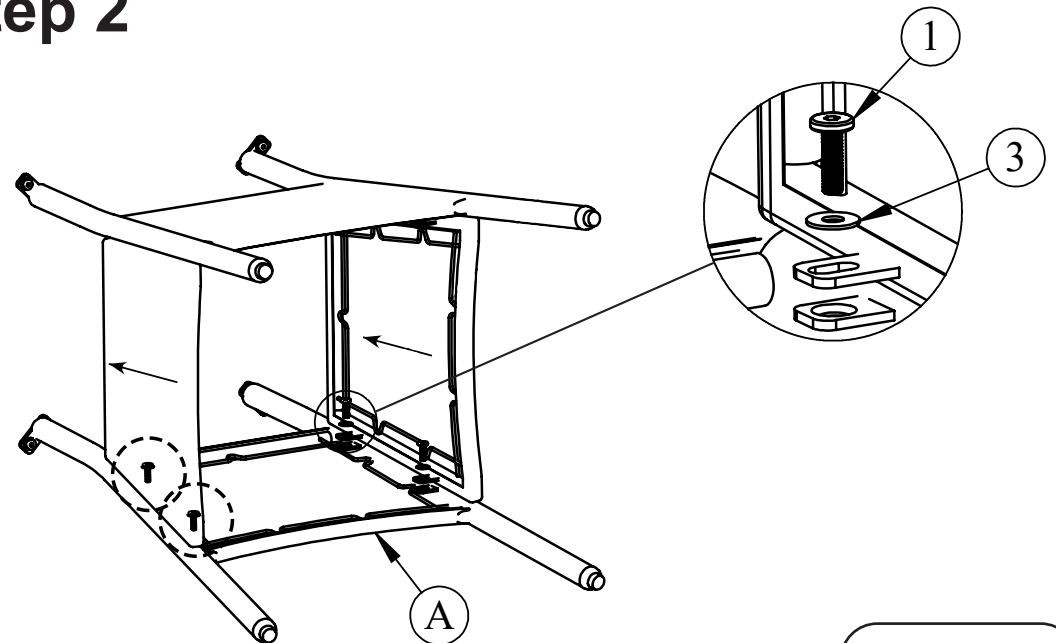
For further guidance and contact information please visit our website: www.fernliving.co.uk

Step 1



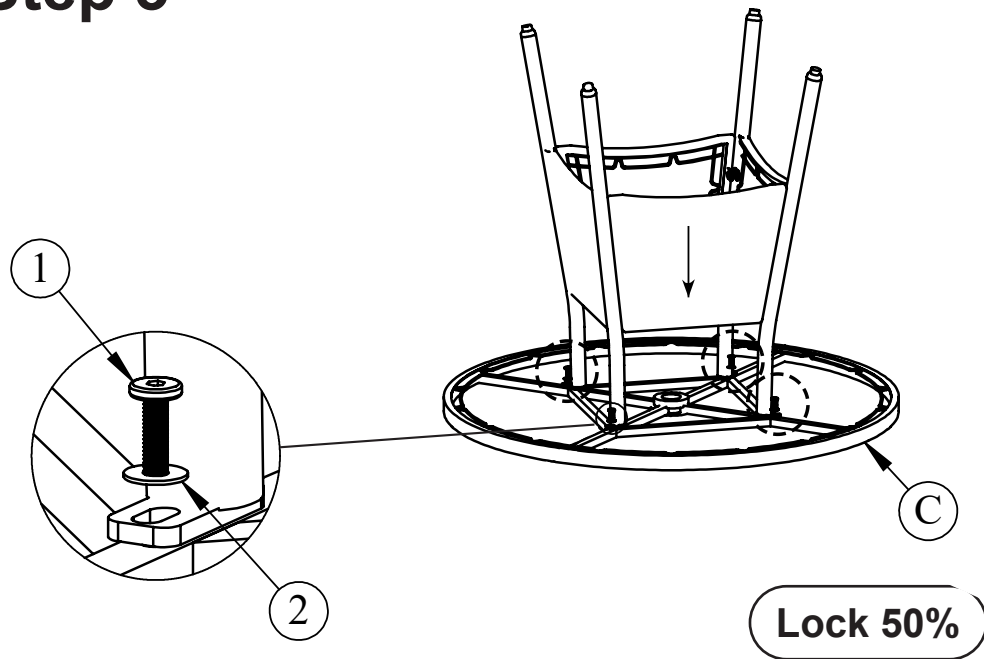
Lock 50%

Step 2

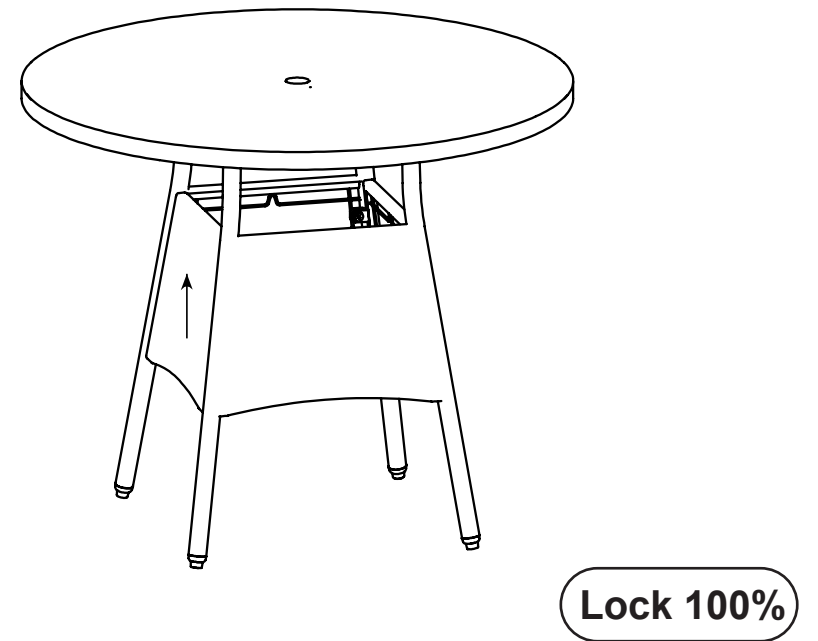


Lock 50%

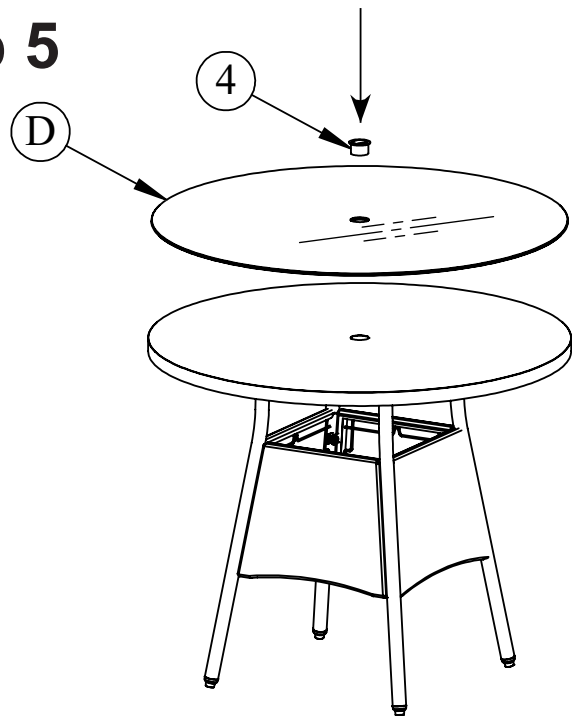
Step 3



Step 4



Step 5



Finished

