

# ASSEMBLY INSTRUCTION DALBY FOLDING BISTRO SET

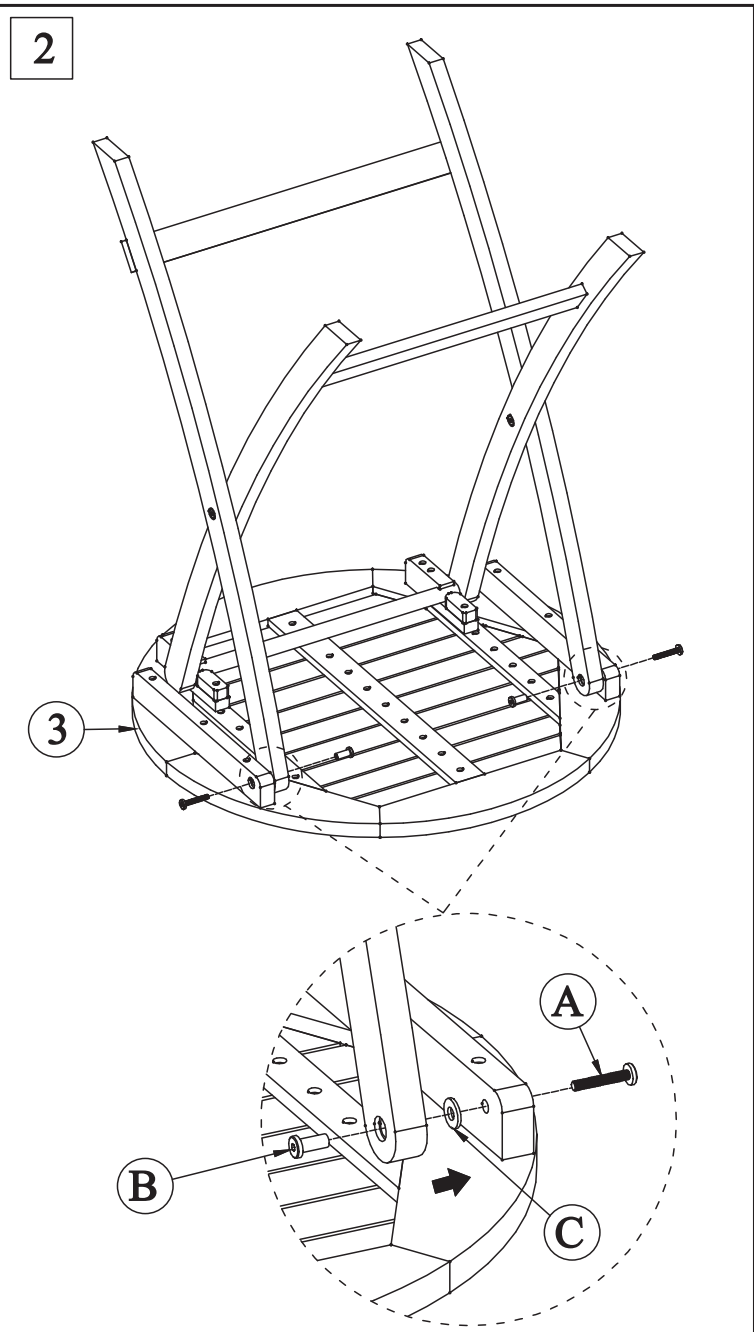
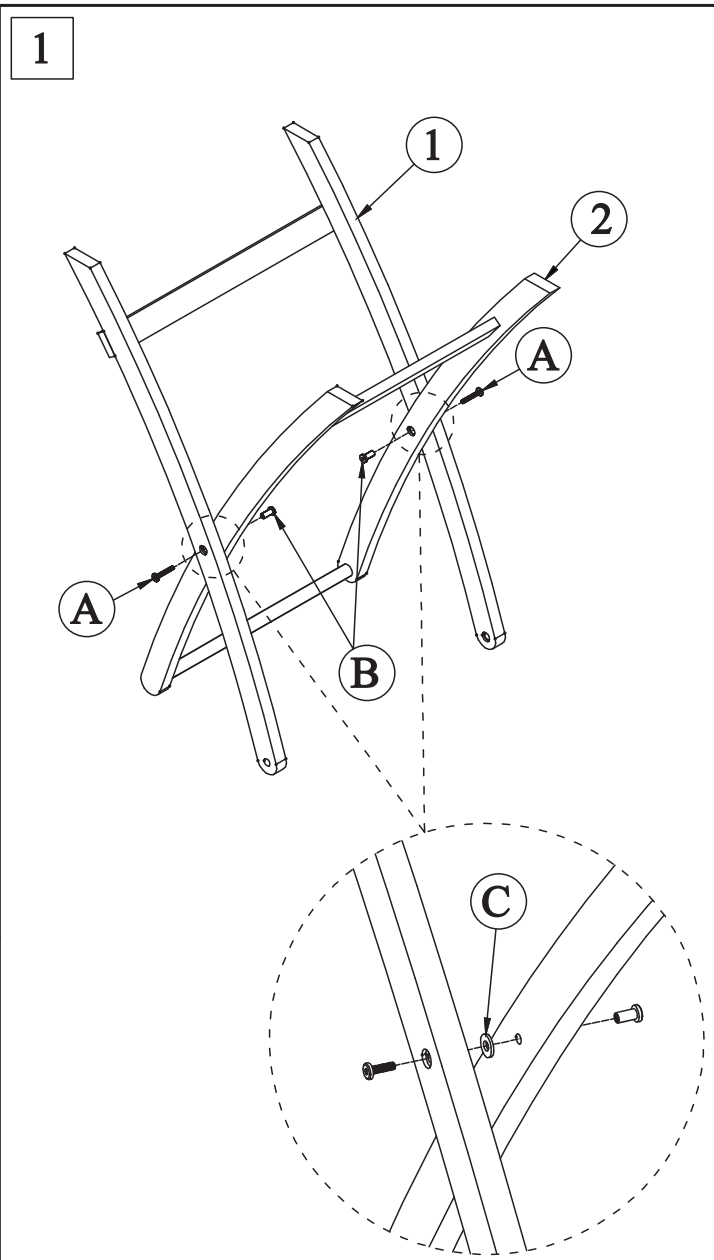
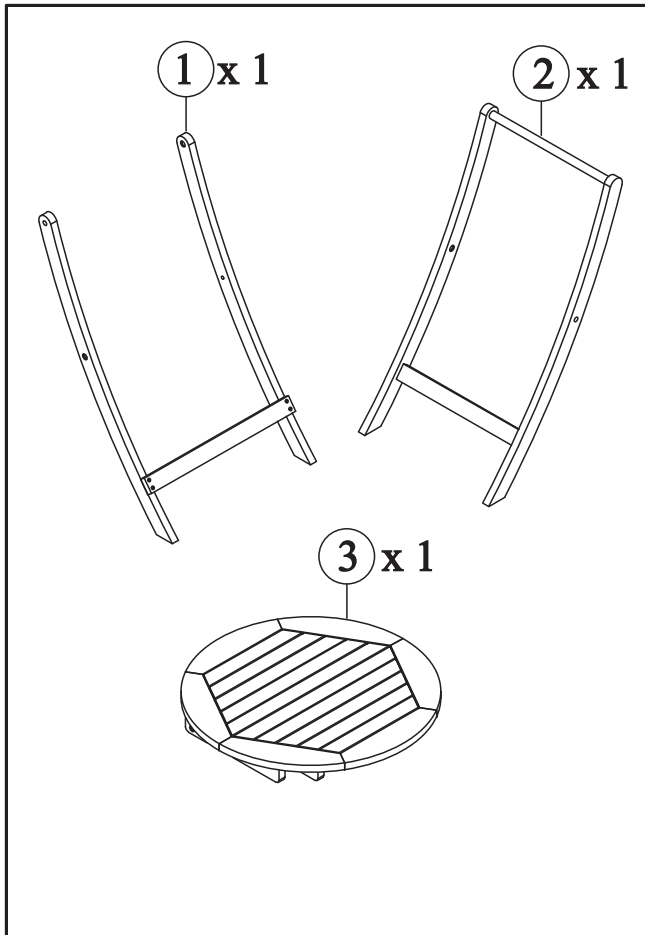


**FERN  
LIVING**

Retain these instructions for future reference.  
Fern Living, Bigby High Road, Brigg, DN20 9HE.  
For further guidance and contact information  
please visit our website: [www.fernliving.co.uk](http://www.fernliving.co.uk)

# Ref: Folding Bistro Set

1. Put the all parts top on the clean and flat surface to avoid any scratches or damage to the product.
2. Do not fully tighten the Bolts before complete.



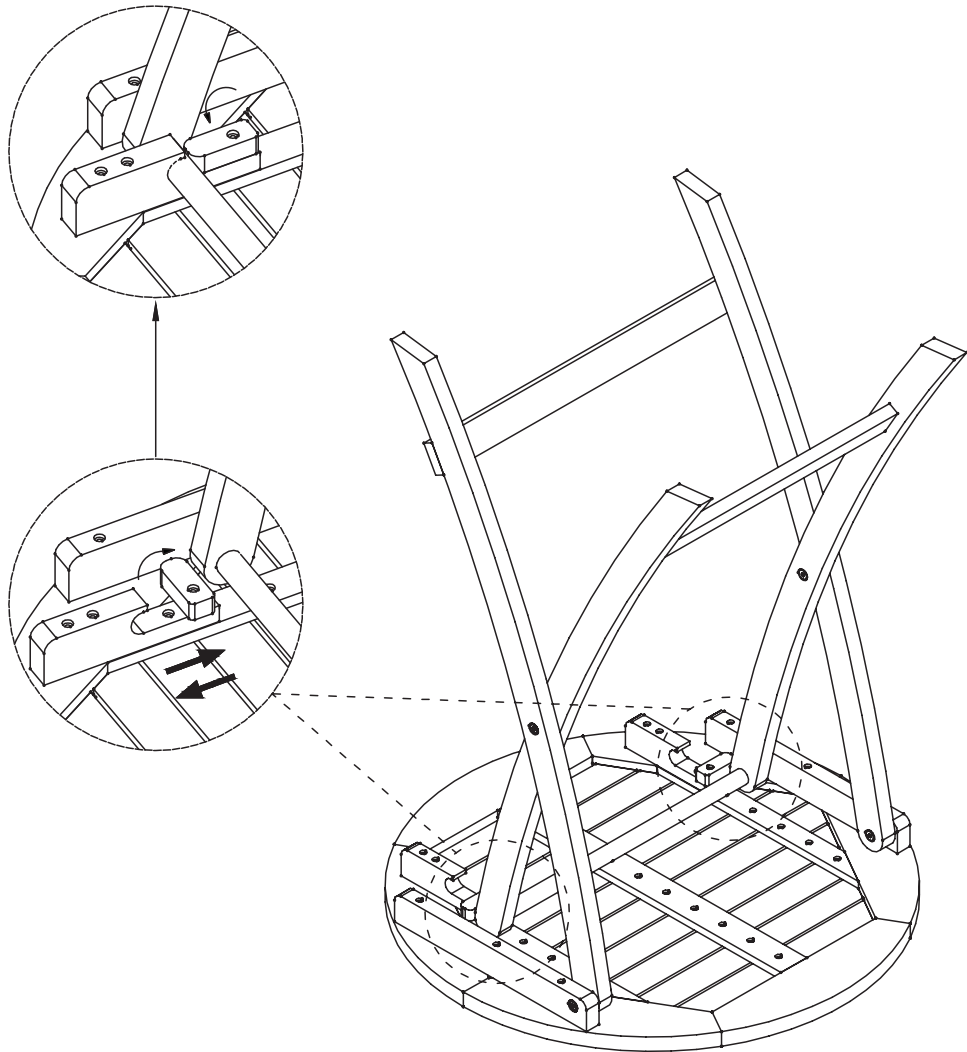
<b>A</b>		6x30x15	X 4
<b>B</b>		6x15x15	X 4
<b>C</b>		6.5x20x2	X 4
			X 2

# Ref: Folding Bistro Set

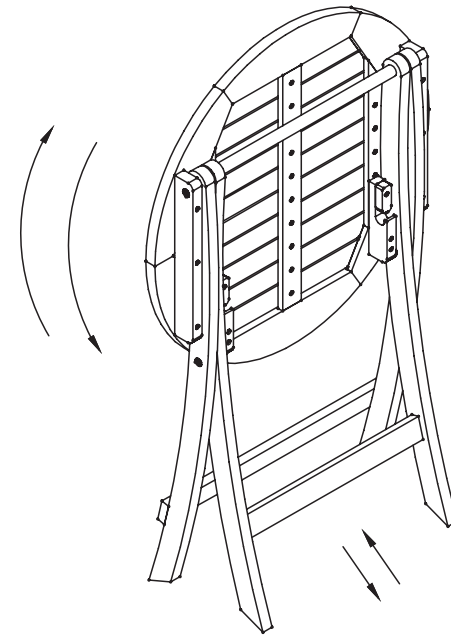
1. Put the all parts top on the clean and flat surface to avoid any scratches or damage to the product.
2. Do not fully tighten the Bolts before complete.



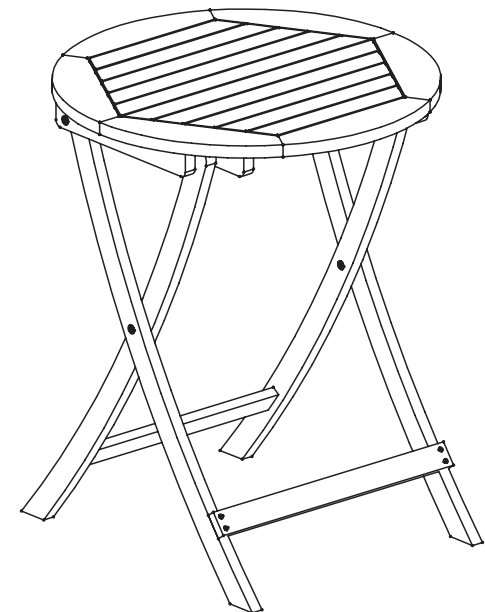
3



4



5

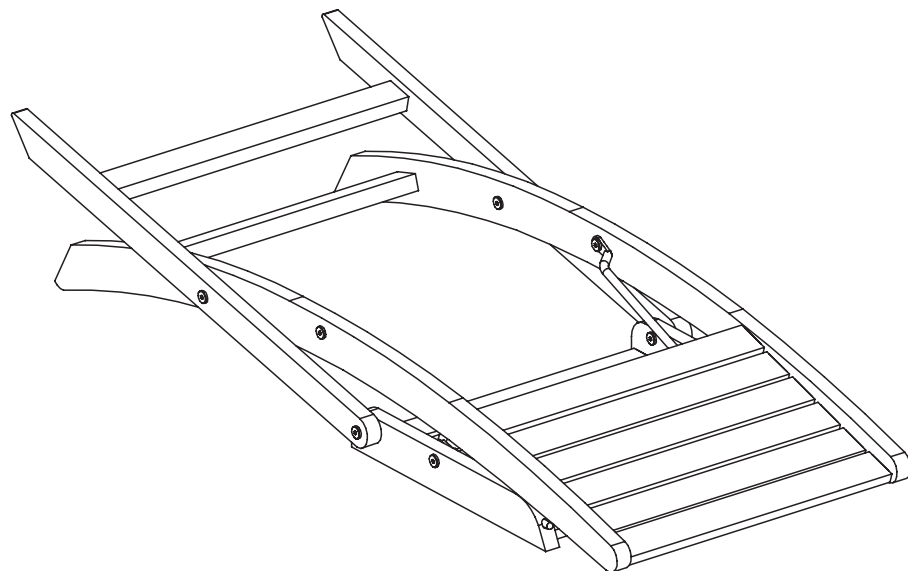


# Ref: Folding Bistro Set

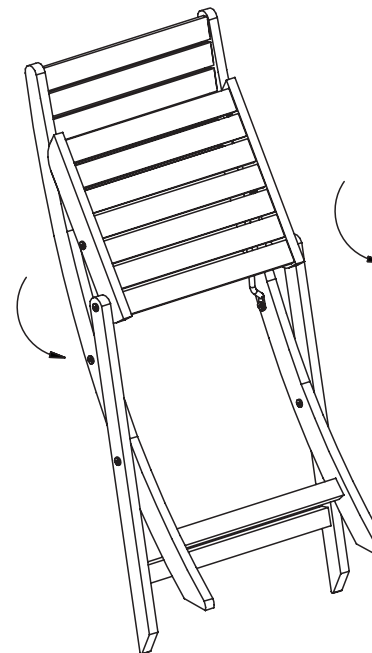
1. Put the all parts top on the clean and flat surface to avoid any scratches or damage to the product.
2. Do not fully tighten the Bolts before complete.



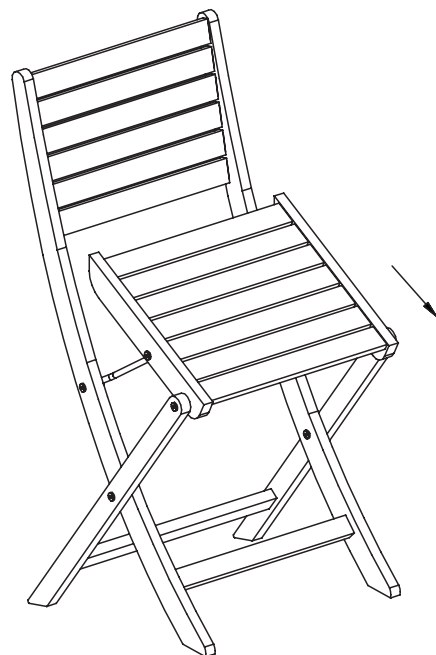
6



7



8



9

