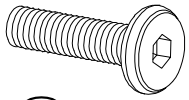
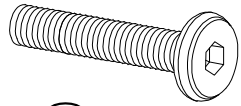


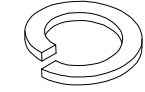
ASSEMBLY INSTRUCTIONS BUTTERMERE COMPANION SET



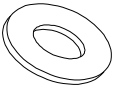
A x20
M6x20



B x2
M6x30



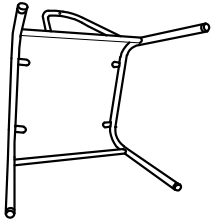
C x22
Ø10x6.5x1



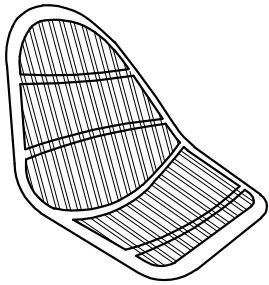
D x22
Ø19xØ6x2



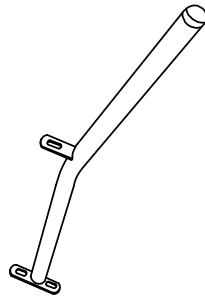
E x1
M4x59



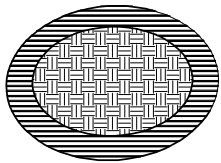
1 x2



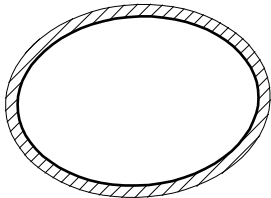
2 x2



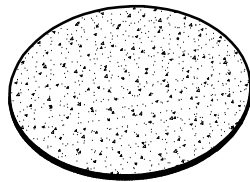
3 x4



4 x1

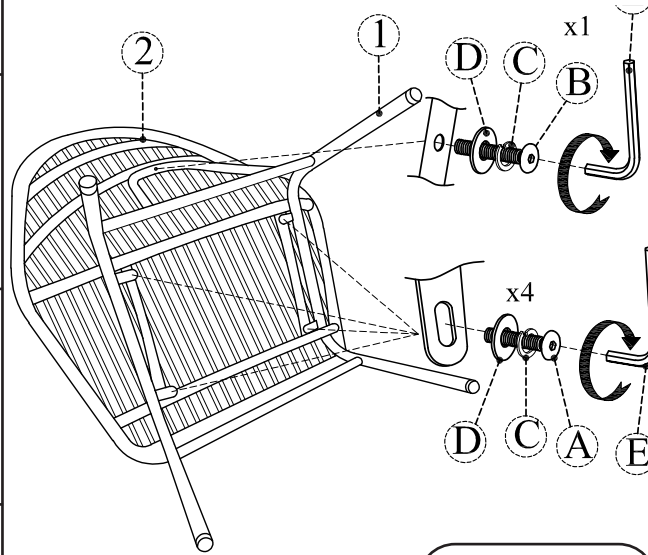


5 x1



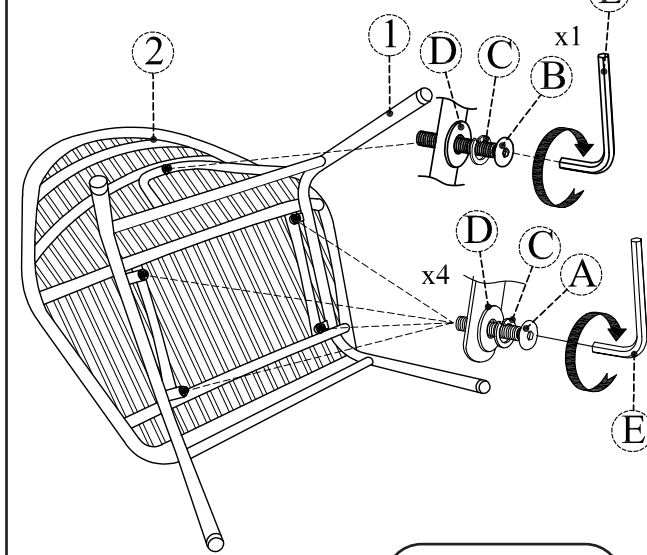
6 x1

Step 1



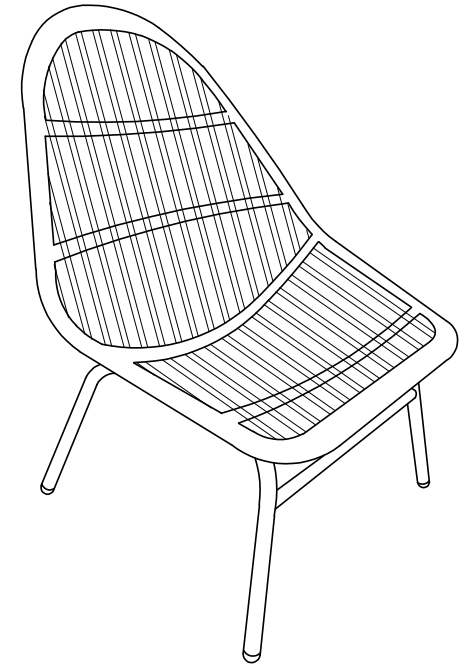
Lock 75%

Step 2



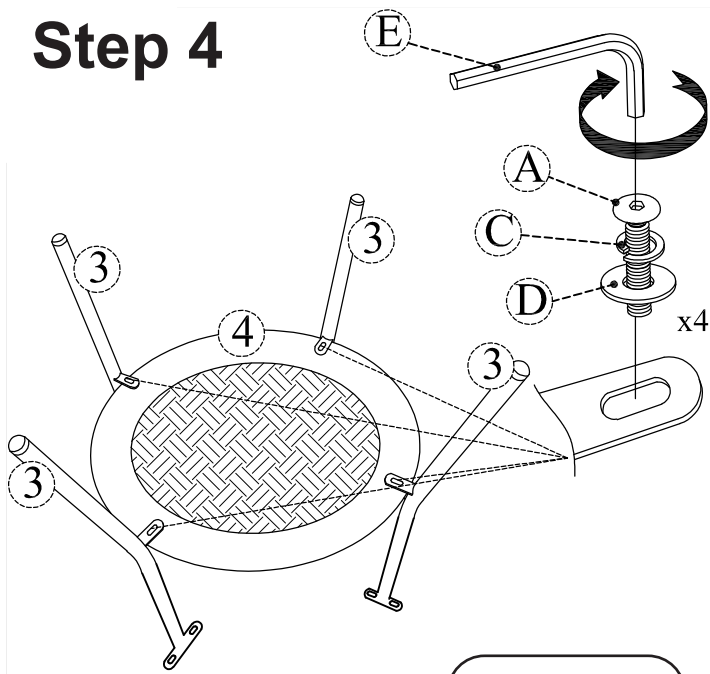
Lock 100%

Step 3

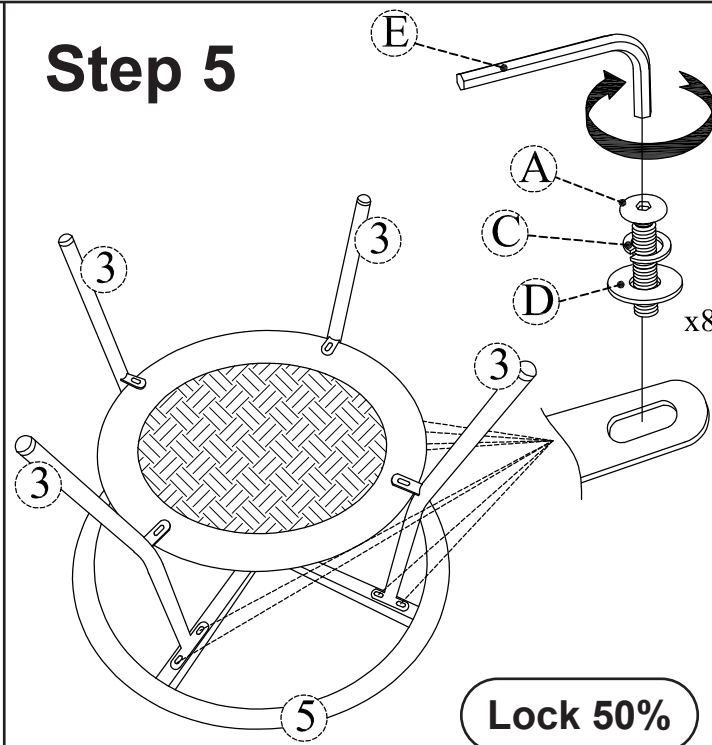


Retain these instructions for future reference.
Fern Living, Bigby High Road, Brigg, DN20 9HE.
For further guidance and contact information please
visit our website: www.fernliving.co.uk

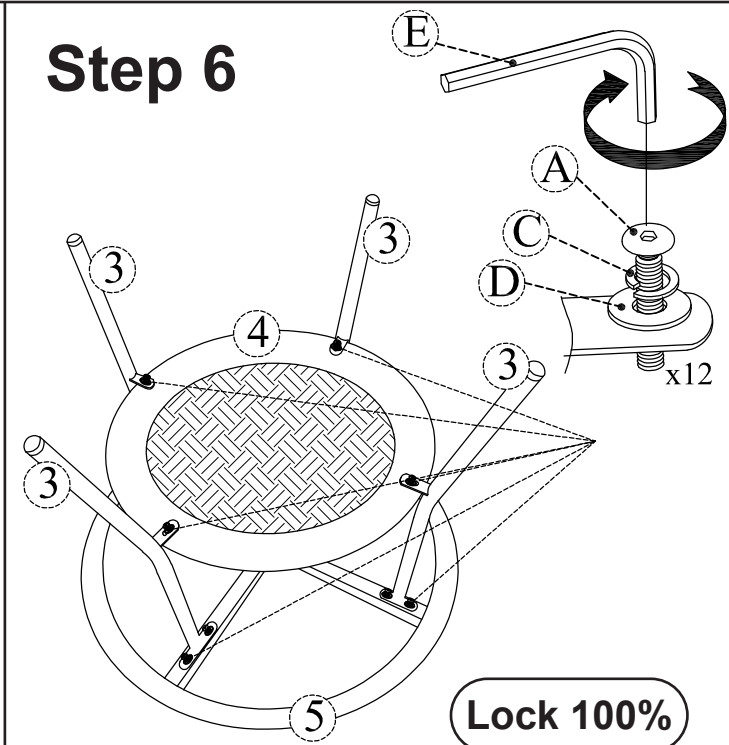
Step 4



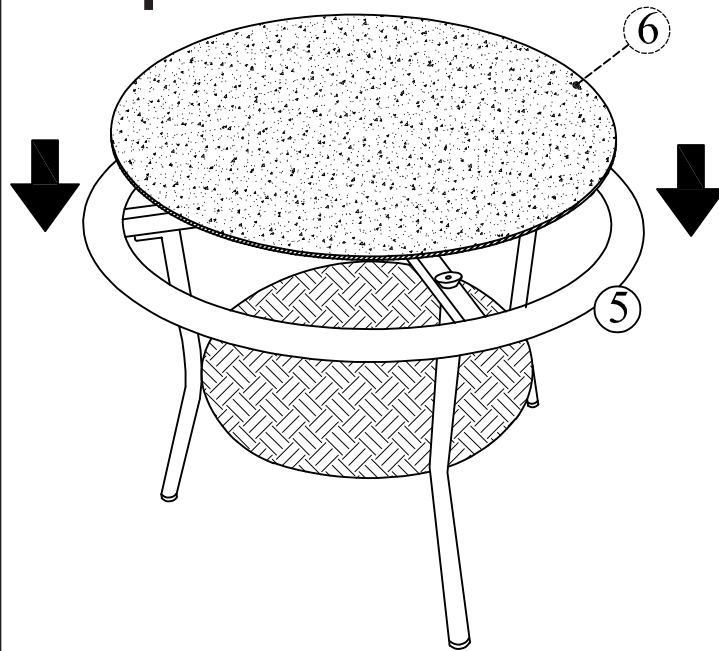
Step 5



Step 6



Step 7



Finished

